

Datasheet

CFP-SFP+ Converter Optical Transceiver Product Features

- 40GBASE-SR4 40G Ethernet CFP-SFP+ Converter
- 1m Duplex CFP-SFP+ Converter for SMF @ 40Gbps
- Laser 1m CFP-SFP+ Converter
- 0°C - 70°C Temperature - Extended/Industrial Available
- No Digital optical monitoring capability
- Hot-swappable for CFP-SFP+ Converter LC ports
- OptoSpan 1 year standard warranty
- Use with Finisar, Avago, JDSU & networks not requiring OEM compatibility
-
- RoHS compliant

* For OEM Compatibility, use Platinum Series Part# PCFP-40GONVSPPC

CFP-40G-SPPCONV



TEMPL-Optospan-CFPSFP CONVERTER -2T.jpg.html

Applications

- 40GBASE-LR4 Ethernet

Description

OptoSpan's CFP-40G-SPPCONV advanced CFP to SFP+ Converter is designed to convert CFP interface to 4 channel SFP+ Modules. It is RoHS compliant and lead-free.

The CFP-40G-SPPCONV CFP to SFP+ converter has undergone rigorous qualification and certification testing to provide End-to-End Compatibility using switching equipment from CISCO, BROCADE, JUNIPER, ALCATEL, HP, NORTEL, EMC, QLOGIC and other OEMs.

Optical Budget Calculation for 1m CFP-SFP+ Converter Optical Transceiver

CFP-40G-SPPCONV	Distance: 1m				Fiber: SMF	
	Tx Min dBm	Tx Max dBm	Rx Min dBm	Rx Max dBm	Link Attenuation dB	Power Budget dB
Product Specifications						
Optical Calculation Results			-10.7	-1.4	3.7	



CFP-SFP+ Converter 1m CFP-SFP+ Converter | 40G Ethernet
General Specifications

Parameter	Unit	Min.	Typ.	Max
Absolute Maximum Ratings				
Maximum Supply Voltage	V			
Storage Temperature	°C			
Case Operating Temperature	°C			
Recommended Operating Condition				
Supply Voltage	V			
Supply Current	mA			
Data Rate	Gbps			

Electrical Characteristics

Parameter	Unit	Min.	Typ.	Max
Transmitter				
Differential Input Voltage Swing	mVpp	150		1050
Input Differential Impedance	ohm	85	100	115
Transmit Disable Voltage - High	V	2.0		Vcc+0.3
Transmit Disable Voltage - Low	V	0		0.8
Transmit Fault Voltage - High	V			
Transmit Fault Voltage - Low	V			
Receiver				
Differential Output Voltage Swing	mVpp	340		850
Differential Output Impedance	ohms	85	100	115
LOS Output Voltage - High	V	2.4		Vcc+0.3
LOS Output Voltage - Low	V	0		0.8



CFP-SFP+ Converter 1m CFP-SFP+ Converter | 40G Ethernet

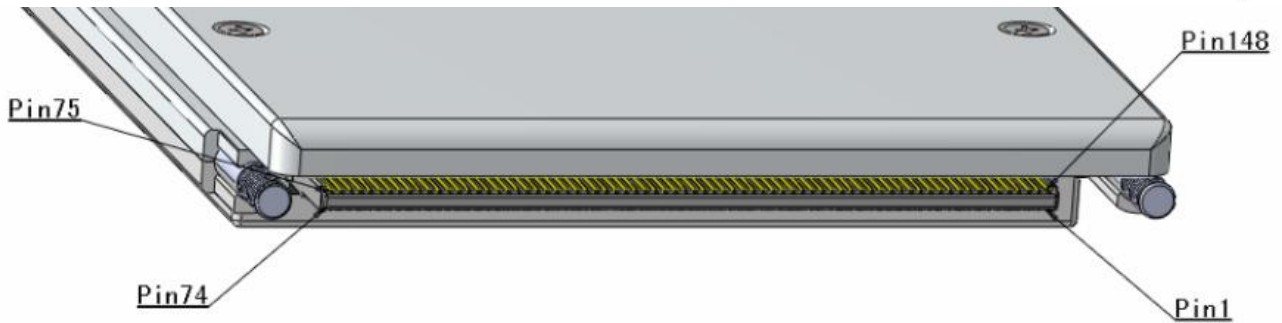
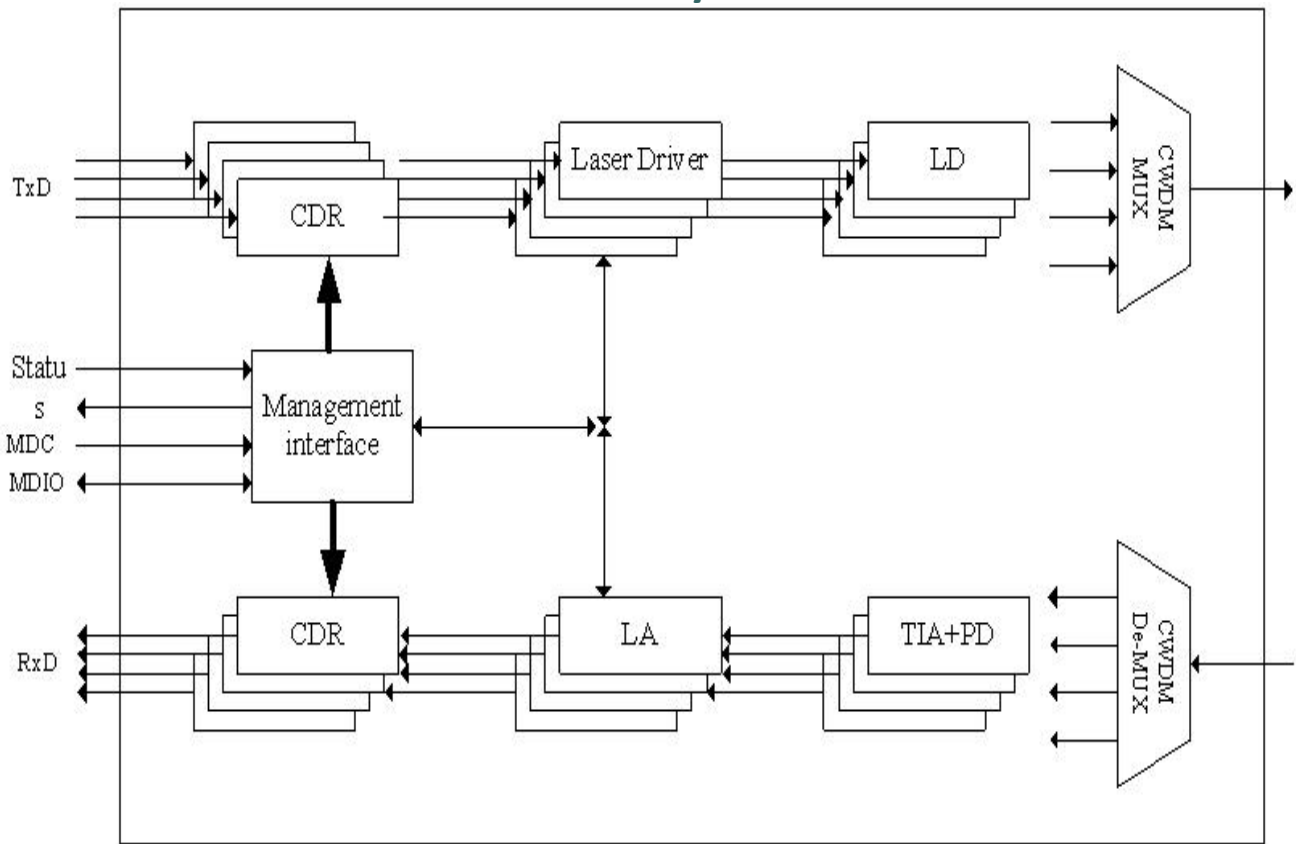
Optical Characteristics

Parameter	Unit	Min.	Typ.	Max
Transmitter				
Output Optical Power	dBm			
Optical Extinction Ratio	dB			
Optical Wavelength	nm			
Spectral Width	nm			
Side Mode Suppression Ratio	dB			
Receiver				
Optical Center Wavelength	nm			
LOS DE-Assert	dBm			
LOS Assert	dBm			

Laser Safety

This is a class 1 Laser Product according to IEC 60825-1:1993:+A1:1997+A2:2001. This product complies with 21 CFR 1040.10 and 1040 except for deviations pursuant to Laser Notice No. 50, dated July 26, 2001.

CFP-SFP+ Converter 1m CFP-SFP+ Converter | 40G Ethernet PIN Layout

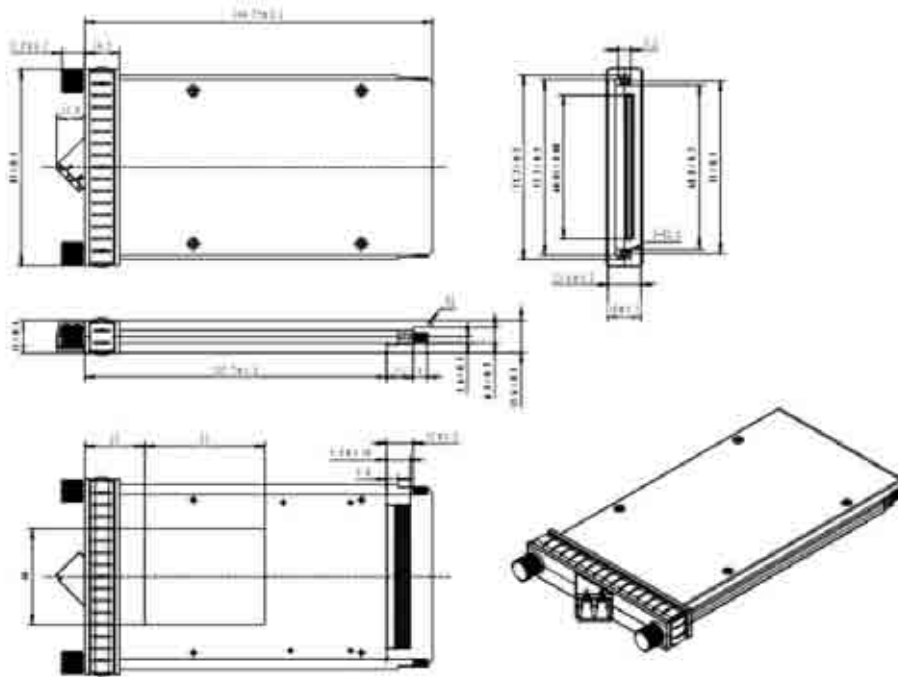
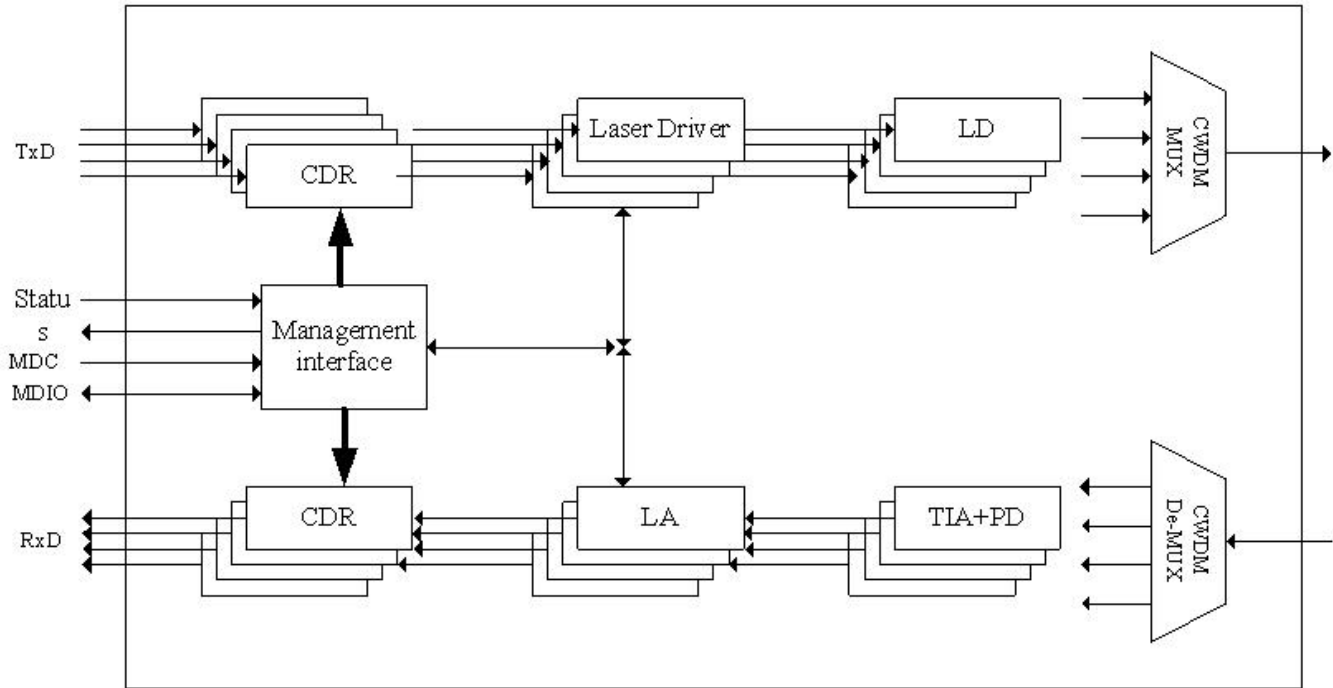




**CFP-SFP+ Converter 1m CFP-SFP+ Converter | 40G Ethernet
PIN Functions**

Pin #	Name - Description
1	Contact OptoSpan for detailed pin layout.
2	
3	
4	
5	
6	
7	
8	
9	
10	
11	
12	
13	
14	
15	
16	
17	
18	
19	
20	
21	
22	
23	
24	
25	
26	
27	
28	
29	
30	

CFP-SFP+ Converter 1m CFP-SFP+ Converter | 40G Ethernet Mechanical Layouts



OptoSpan reserves the right to make changes or to discontinue any optical product or service without any notice. Applications and features described herein are for illustrative purposes only. OptoSpan makes no representation of warranty that such applications or features will be suitable for any specific use or compatibility without further testing or modifications. Not responsible for typographical errors.